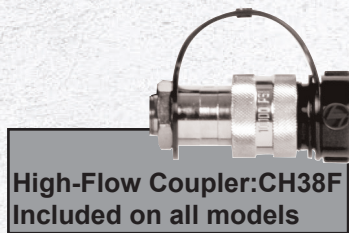


LOW PROFILE CYLINDERS

- Compact design for use in confined spaces
- Rod wiper helps seal out dirt and contamination
- Specially designed return spring provides quick retraction and extends the life of the spring
- Industrial hard chrome plated rod helps prevent scratching and corrosion
- Rod end is grooved to reduce load slippage
- Includes high flow coupler and dust cap
- HL1001, HL2002, and HL3002 coupler is tilted upward for added clearance
- Maximum working pressure: 10,000 psi / 700 bar



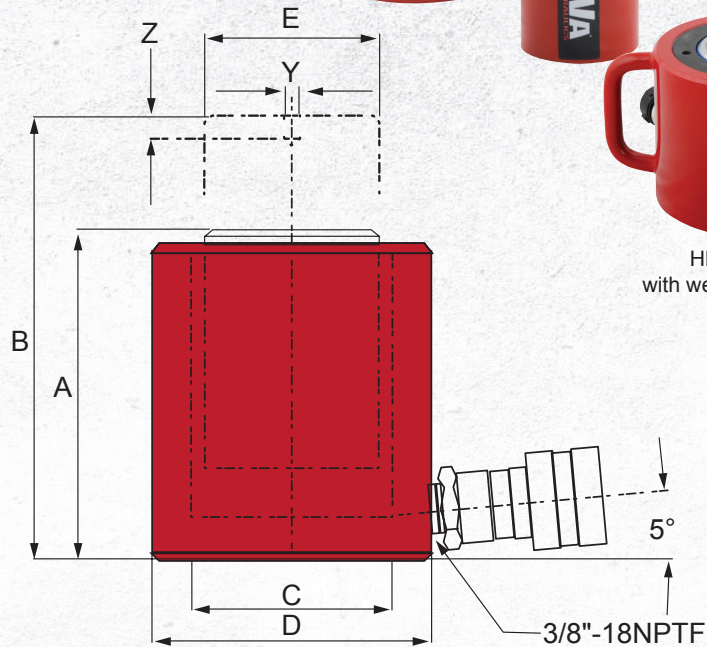
HL10002
with welded handle



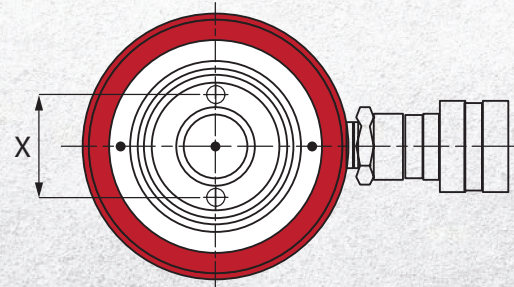
High-Flow Coupler:CH38F
Included on all models



Low profile cylinders are great for confined spaces



| Cylinder Capacity (tons) | Stroke (in) | Model Number | Cylinder Effective Area (in ²) | Internal Pressure at Capacity (psi) | Oil Capacity (in ³) | Weight (lbs) |
|--------------------------|-------------|--------------|--|-------------------------------------|---------------------------------|--------------|
| 10 | 1.50 | HL1001 | 2.35 | 8,511 | 3.53 | 5.7 |
| 20 | 1.75 | HL2002 | 4.37 | 9,153 | 7.65 | 11.0 |
| 30 | 2.44 | HL3002 | 6.49 | 9,245 | 15.84 | 15.0 |
| 50 | 2.36 | HL5002 | 9.87 | 10,132 | 23.29 | 21.8 |
| 100 | 2.24 | HL10002 | 19.64 | 10,183 | 44.07 | 45.4 |



| Model Number | Collapsed Height A (in) | Extended Height B (in) | Cylinder Bore Diameter C (in) | Outside Diameter D (in) | Rod Diameter E (in) | Rod Mounting | | |
|--------------|-------------------------|------------------------|-------------------------------|-------------------------|---------------------|--------------------|---------------|---------------------|
| | | | | | | Bolt Circle X (in) | Thread Y (mm) | Thread Depth Z (in) |
| HL1001 | 3.48 | 4.98 | 1.73 | 2.75 | 1.50 | 1.03 | M4 | 0.32 |
| HL2002 | 3.90 | 5.65 | 2.36 | 3.63 | 2.00 | 1.56 | M4 | 0.32 |
| HL3002 | 4.61 | 7.05 | 2.87 | 4.00 | 2.50 | 1.56 | M5 | 0.32 |
| HL5002 | 4.80 | 7.17 | 3.54 | 4.88 | 2.76 | 1.56 | M5 | 0.32 |
| HL10002 | 5.55 | 7.80 | 5.00 | 6.50 | 3.54 | 2.19 | M8 | 0.10 |