



## Electric Pumps

PE30, PE40, PE50 Series  
- Single Phase



PE50W4N03A

- Meets OSHA regulations for sound (80dBA)
- 2 Stage pumps provide fast run up before the high pressure stage
- Suction strainers screen out contamination to prevent pump damage
- All units are wired as 120 VAC 60 Hz; Optional wiring includes 50 Hz motors and 240 VAC 60 Hz
- 100% Duty Cycle, NEMA 5 Enclosure TEFC motors
- All hand pendants are wired 24 VAC for safety
- Starts under full load

Use with Cylinder Type	Flow Rate				Motor Size
	1 <sup>st</sup> Stage		2 <sup>nd</sup> Stage		
	in <sup>3</sup> /min	psi	in <sup>3</sup> /min	psi	

### Dump Manual Valve w/10 ft. Motor Pendant

	2W/2P Advance/Return		293	350	18	10,000	0.5 Hp
			311	700	37	10,000	1.0 Hp
			476	700	61	10,000	1.5 Hp

### Dump Solenoid Valve w/10 ft. Pendant

	2W/2P Advance /Return (Auto*)		293	350	18	10,000	0.5 Hp
			311	700	37	10,000	1.0 Hp
			476	700	61	10,000	1.5 Hp
	3W/2P Advance /Return**		293	350	18	10,000	0.5 Hp
			311	700	37	10,000	1.0 Hp
			476	700	61	10,000	1.5 Hp

### Manual Valve

	3W/3P Advance /Hold Return		293	350	18	10,000	0.5 Hp
			311	700	37	10,000	1.0 Hp
			476	700	61	10,000	1.5 Hp
	4W/3P Advance /Hold/Return		293	350	18	10,000	0.5 Hp
			311	700	37	10,000	1.0 Hp
			476	700	61	10,000	1.5 Hp

### Manual Valve w/10 ft. Motor Pendant

	3W/3P Advance /Hold Return		293	350	18	10,000	0.5 Hp
			311	700	37	10,000	1.0 Hp
			476	700	61	10,000	1.5 Hp
	4W/3P Advance /Hold/Return		293	350	18	10,000	0.5 Hp
			311	700	37	10,000	1.0 Hp
			476	700	61	10,000	1.5 Hp

### Solenoid Valve w/10 ft. Pendant & Locking Plate

	3W/3P Advance /Hold Return		293	350	18	10,000	0.5 Hp
			311	700	37	10,000	1.0 Hp
			476	700	61	10,000	1.5 Hp
	4W/3P Advance /Hold/Return		293	350	18	10,000	0.5 Hp
			311	700	37	10,000	1.0 Hp
			476	700	61	10,000	1.5 Hp

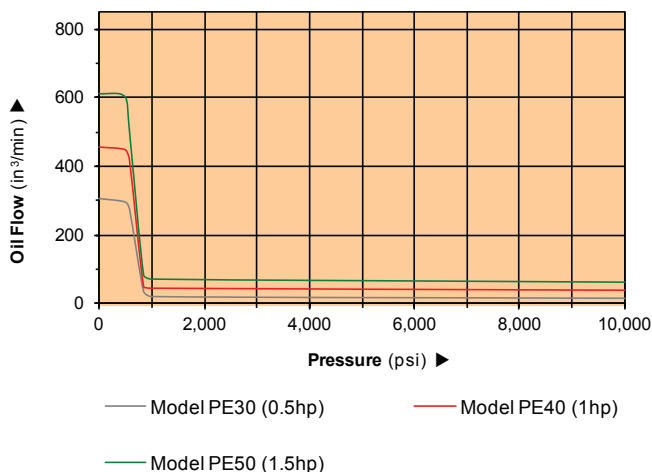
1-888-332-6419

[www.BVAhydraulics.com](http://www.BVAhydraulics.com)

\* Advance position holds pressure with motor running or off. Return retracts cylinder with motor off

\*\* Advance position holds pressure with motor running and cylinder Returns when button is released.

Electric Pumps Flow Chart



80%

**Safety Practices**

Good industry practice recommends not exceeding 80% of maximum rated capacities of all our products.

Pumps

Usable Oil Capacity						
1 Gal	2 Gal	3 Gal	5 Gal	10 Gal	15 Gal	25 Gal
Model Number	Model Number	Model Number	Model Number	Model Number	Model Number	Model Number
<b>Dump Manual Valve w/10 ft. Motor Pendant</b>						
PE30DMP01A	PE30DMP02A	PE30DMP03A	-	-	-	-
-	PE40DMP02A	PE40DMP03A	PE40DMP05A	PE40DMP10A	-	-
-	-	PE50DMP03A	PE50DMP05A	PE50DMP10A	PE50DMP15A	PE50DMP25A
<b>Dump Solenoid Valve w/10 ft. Pendant</b>						
PE30H2S01A	PE30H2S02A	PE30H2S03A	-	-	-	-
-	PE40H2S02A	PE40H2S03A	PE40H2S05A	PE40H2S10A	-	-
-	-	PE50H2S03A	PE50H2S05A	PE50H2S10A	PE50H2S15A	PE50H2S25A
PE30DSP01A	PE30DSP02A	PE30DSP03A	-	-	-	-
-	PE40DSP02A	PE40DSP03A	PE40DSP05A	PE40DSP10A	-	-
-	-	PE50DSP03A	PE50DSP05A	PE50DSP10A	PE50DSP15A	PE50DSP25A
<b>Manual Valve</b>						
PE30M3N01A	PE30M3N02A	PE30M3N03A	-	-	-	-
-	PE40M3N02A	PE40M3N03A	PE40M3N05A	PE40M3N10A	PE40M3N15A	PE40M3N25A
-	-	PE50M3N03A	PE50M3N05A	PE50M3N10A	PE50M3N15A	PE50M3N25A
PE30M4N01A	PE30M4N02A	PE30M4N03A	-	-	-	-
-	PE40M4N02A	PE40M4N03A	PE40M4N05A	PE40M4N10A	PE40M4N15A	PE40M4N25A
-	-	PE50M4N03A	PE50M4N05A	PE50M4N10A	PE50M4N15A	PE50M4N25A
<b>Manual Valve w/10 ft. Motor Pendant</b>						
PE30W3N01A	PE30W3N02A	PE30W3N03A	-	-	-	-
-	PE40W3N02A	PE40W3N03A	PE40W3N05A	PE40W3N10A	PE40W3N15A	PE40W3N25A
-	-	PE50W3N03A	PE50W3N05A	PE50W3N10A	PE50W3N15A	PE50W3N25A
PE30W4N01A	PE30W4N02A	PE30W4N03A	-	-	-	-
-	PE40W4N02A	PE40W4N03A	PE40W4N05A	PE40W4N10A	PE40W4N15A	PE40W4N25A
-	-	PE50W4N03A	PE50W4N05A	PE50W4N10A	PE50W4N15A	PE50W4N25A
<b>Solenoid Valve w/10 ft. Pendant &amp; Locking Plate</b>						
PE30S3L01A	PE30S3L02A	PE30S3L03A	-	-	-	-
-	PE40S3L02A	PE40S3L03A	PE40S3L05A	PE40S3L10A	PE40S3L15A	PE40S3L25A
-	-	PE50S3L03A	PE50S3L05A	PE50S3L10A	PE50S3L15A	PE50S3L25A
PE30S4L01A	PE30S4L02A	PE30S4L03A	-	-	-	-
-	PE40S4L02A	PE40S4L03A	PE40S4L05A	PE40S4L10A	PE40S4L15A	PE40S4L25A
-	-	PE50S4L03A	PE50S4L05A	PE50S4L10A	PE50S4L15A	PE50S4L25A

\* Advance position holds pressure with motor running or off. Return retracts cylinder with motor off  
 \*\* Advance position holds pressure with motor running and cylinder Returns when button is released.



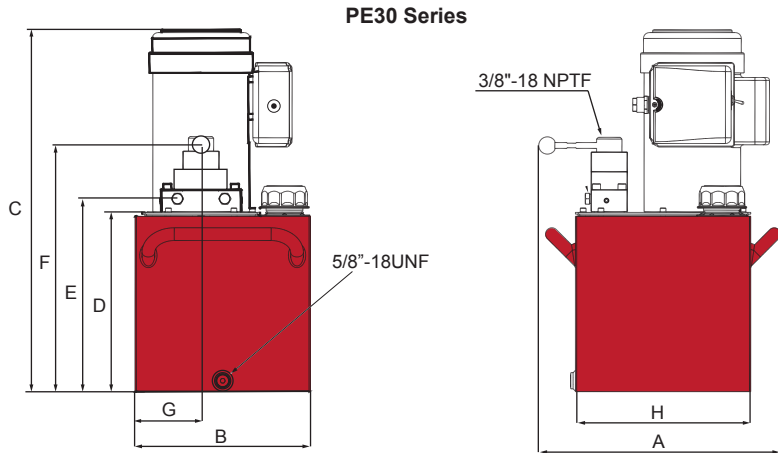


## Electric Pumps

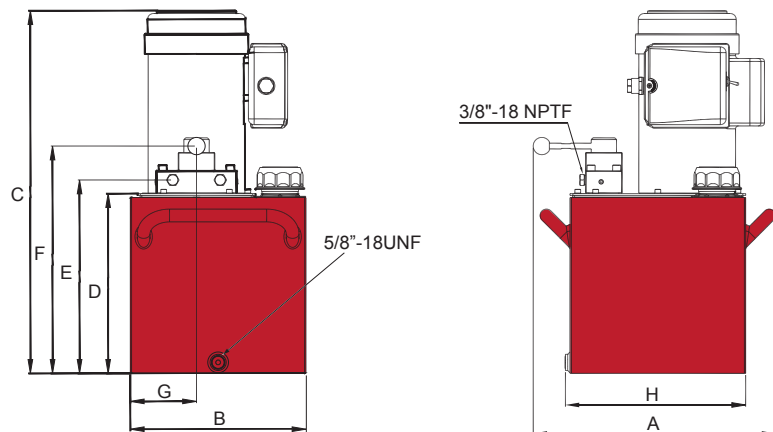
Electric Power Source



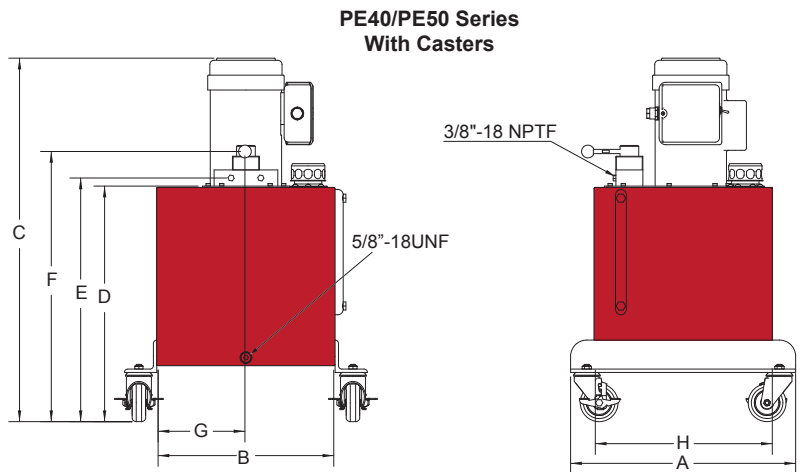
PE50M4N03A



PE30 Series



PE40/PE50 Series



PE40/PE50 Series With Casters

**Pump Accessories**  
See the assortment of accessories designed to work with these pumps. pg 69

**80% Safety Practices**  
Good industry practice recommends not exceeding 80% of maximum rated capacities of all our products.

**Safety Instructions**  
Visit our DO'S and DON'TS section to review the best methods of operation. Always be prepared. pg 92

**Pressure Settings**  
Custom pressure settings available upon request. Contact your local BVA dealer.

**Reservoir Sizing**  
Recommended reservoir sizing is Extended Cylinder + Hose Volume Oil Capacity x 1.3

Reservoir Size	Dimensional Table (in)								Pump Weight by Series* (lbs)		
	A	B	C	D	E	F	G	H	PE30	PE40	PE50
1 Gal	12.7	10.3	19.1	4.7	5.7	12.0	8.1	12.4	61.0	-	-
2 Gal	16.7	12.0	17.9	6.0	6.9	13.2	4.5	12.4	75.0	72.0	-
3 Gal	16.7	12.0	19.7	7.2	8.2	10.5	4.5	12.4	84.0	81.0	91.0
5 Gal	16.7	12.0	24.8	12.3	13.2	15.5	4.5	12.4	-	102.0	112.0
10 Gal	20.9	16.5	31.5	19.0	19.9	22.3	8.3	16.5	-	184.0	194.0
15 Gal	20.9	16.5	34.6	22.1	23.1	25.4	8.3	16.5	-	255.0	265.0
25 Gal	25.6	21.3	34.6	22.1	23.1	25.4	10.6	21.3	-	362.0	372.0

\* Pump weights include oil.

# Single Phase Pump Matrix Chart

If you don't see a pump that would fit your application needs, you can custom build a pump to your desired specifications. Use this Pump Matrix Chart as a guide for creating your very own custom built Electric Pump. For assistance in building your pump, call your local BVA Representative.

**P** **E** **30** **S4L** **02** **A** - **A** **G**

**1** Product Type    **2** Motor Type    **3** Flow Group    **4** Valve Type /Operation    **5** Reservoir Size    **6** Voltage    **7** Pump Options

## 1 - Product Type

P Pump

## 2 - Motor Type

E Induction Electric Motor, TEFC

## 3 - Flow Group

**30** 293/18 in3/min @ 350/10,000 psi, 0.5 Hp  
**40** 311/37 in3/min @ 700/10,000 psi, 1.0 Hp  
**50** 476/61 in3/min @ 700/10,000 psi, 1.5 Hp

## 4 - Valve Type/Operation

**CMR** Pump Mounted Manifold Block - Pressure & Return Ports Only  
**WMR** CMR Block w/10ft Motor Control Pendant  
**DMP** Dump Valve w/motor pendant 2W/2P  
**DSP** Dump Solenoid Valve w/pendant 3W/2P (Spool Type Valve)  
**H2S** Solenoid Valve 2W/2P - Pendant Control On/Off Only (Poppet Type Valve)  
**M2N** Manual Valve 3W/2P  
**M3N** Manual Valve 3W/3P  
**M4N** Manual Valve 4W/3P  
**M3L** Manual Valve 3W/3P w/Locking Plate  
**M4L** Manual Valve 4W/3P w/Locking Plate  
**W2N** Manual Valve 3W/2P w/10ft Motor Control Pendant  
**W3N** Manual Valve 3W/3P w/10ft Motor Control Pendant  
**W4N** Manual Valve 4W/3P w/10ft Motor Control Pendant  
**W3L** Manual Valve 3W/3P w/Locking Plate and 10ft Motor Control Pendant  
**W4L** Manual Valve 4W/3P w/Locking Plate and 10ft Motor Control Pendant  
**S3N** Solenoid Valve 3W/3P (Spool Type)  
**S4N** Solenoid Valve 4W/3P (Spool Type)  
**S3L** Solenoid Valve 3W/3P w/Locking Plate (Spool Type Valve)  
**S4L** Solenoid Valve 4W/3P w/Locking Plate (Spool Type Valve)

## 5 - Reservoir Size

**01** 1 Gallon  
**02** 2 Gallons  
**03** 3 Gallons  
**05** 5 Gallons  
**10** 10 Gallons  
**15** 15 Gallons  
**25** 25 Gallons

## 6 - Voltage

**A** 120V 1 ph 60 Hz - US Plug NEMA 5-15P  
**D** 230V 1 ph 50 Hz - European Plug  
**E** 240V 1 ph 60 Hz - No Plug

## 7 - Pump Options

**A** External Pressure Adjustment Block (available on any models with 3W/3P or 4W/3P)  
**G** Gauge w/Gauge Adapter 0-15,000 psi 2-1/2" Wet - Installed "A" Port  
**M** Intermittent Motor Option (available on solenoid equipped models only EXCEPT H2S option)  
**P** Pressure Switch (available on solenoid equipped models only)  
**U** Foot Control Switch (available on solenoid equipped models only)  
**W** Wireless Control (available on solenoid equipped models only)



PE Series

## Ordering Example

**PE30S4L02A-A**

After reviewing this model number, we know that the pump has the following specifications:

- Electric power source
- ½ Hp flow group
- Solenoid Valve w/Locking Plate 4W/3P
- 2 gallon reservoir tank
- External Pressure Adjustment Block



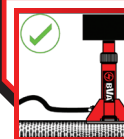
PE30S4L02A-A

## Related Product: Gauges



Reduce the risk of overloading your product by using a gauge. A variety of graduations and types to suit any need.

pg 69



## Safety Instructions

Visit our DO'S and DON'TS section to review the best methods of operation. Always be prepared.

pg 92



## Related Product: Hoses

We offer a variety of hoses, fittings, lengths and materials.

pg 72

Not all options are available in all configurations. Table is for reference only. Please consult your local BVA dealer if you want to order a custom pump or if you have questions.